



## DNM-844-(50A)(200A)(500A)

4 Channel Current Transformer



## DNM-844-(1000A)(2000A)

4 Channel Current Transformer

### Features

- 4-Channel High Current Input Measurement
- Linear Attenuation Ratio
- 4 kV ESD Protection
- 3 kV Surge Protection
- 3000 VDC Intra-module Isolation
- RoHS Compliance
- Easily wire connection
- Operating Temperature: -25 ~ +75 °C



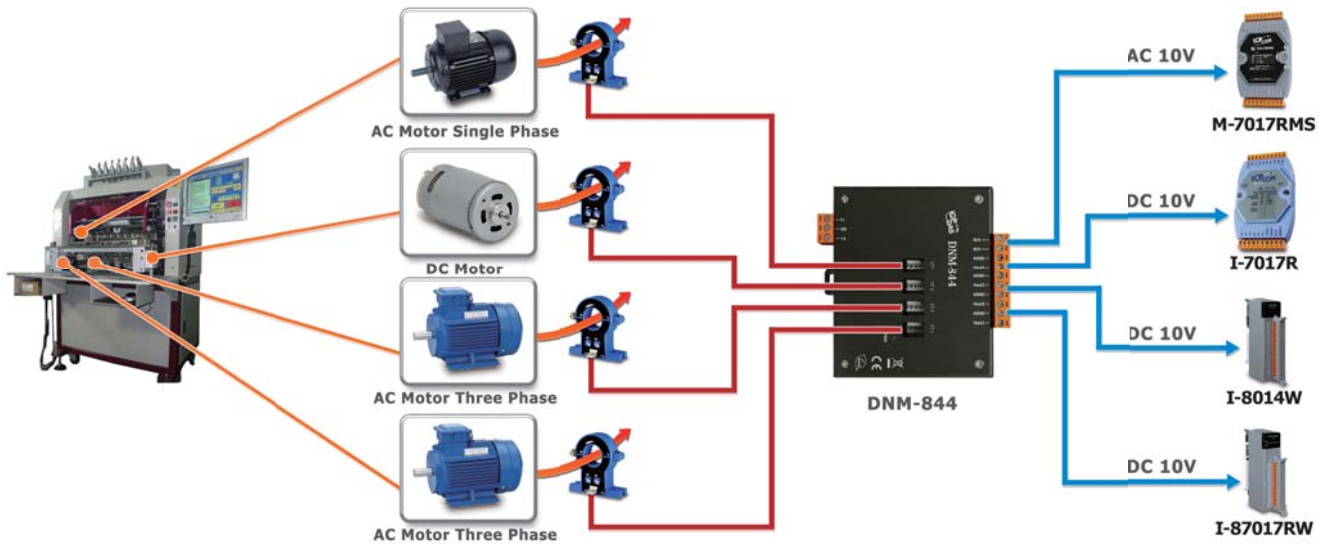
### Introduction

The DNM-844 is 4-channel current transformer. The maximum current input range is from  $\pm 2000$  A can be attenuated to  $\pm 10$  V. It provides 3000 VDC intra-modules isolation. It can be used with the analog input modules such as I-7017, I-87017, M-7017RMS and I-87017W-RMS etc. to measure the high current.

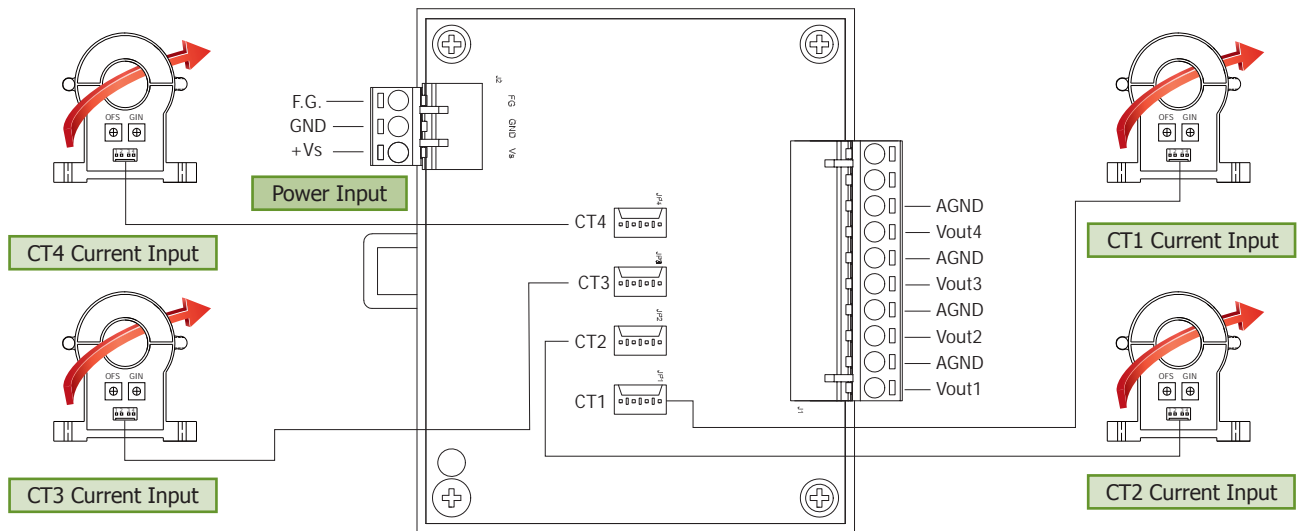
### Specifications

Models	DNM-844-50A	DNM-844-200A	DNM-844-500A	DNM-844-1000A	DNM-844-2000A
<b>High Current Input</b>					
Channels	4				
Input Type	AC/DC Current				
Input Current Range	$\pm 50$ A	$\pm 200$ A	$\pm 500$ A	$\pm 1000$ A	$\pm 2000$ A
Output Voltage Range	$\pm 10$ VDC or 10 VAC				
Accuracy of Max. Voltage Output	$\pm 1\%$ of FSR				
Frequency bandwidth	0~50KHz				
CT $\Phi$	$\Phi 21$ mm			$\Phi 40.5$ mm	
<b>Isolation</b>					
Isolation voltage	2.5 KV @ 50 (60) HZ/1min				
Intra-module Isolation, Field-to-Logic	3000 Vdc				
<b>EMS Protection</b>					
ESD (IEC 61000-4-2)	$\pm 4$ kV contact for power line, input and output channels, $\pm 8$ kV air for random point				
Surge (IEC 61000-4-5)	$\pm 3$ kV for power liner				
<b>Power Input</b>					
Input Range	$+10 \sim +30$ VDC				
Power Consumption	2.3 W				
<b>Mechanical</b>					
Dimensions (L x W x H)	104 mm x 103 mm x 28 mm				
Housing	Metal				
Installation	DIN-Rail Mounting				

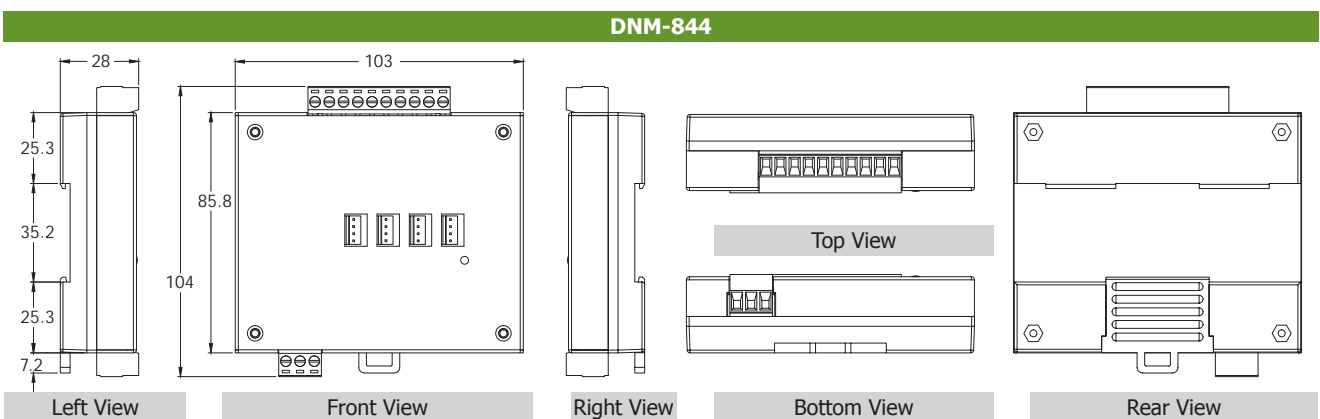
## Applications



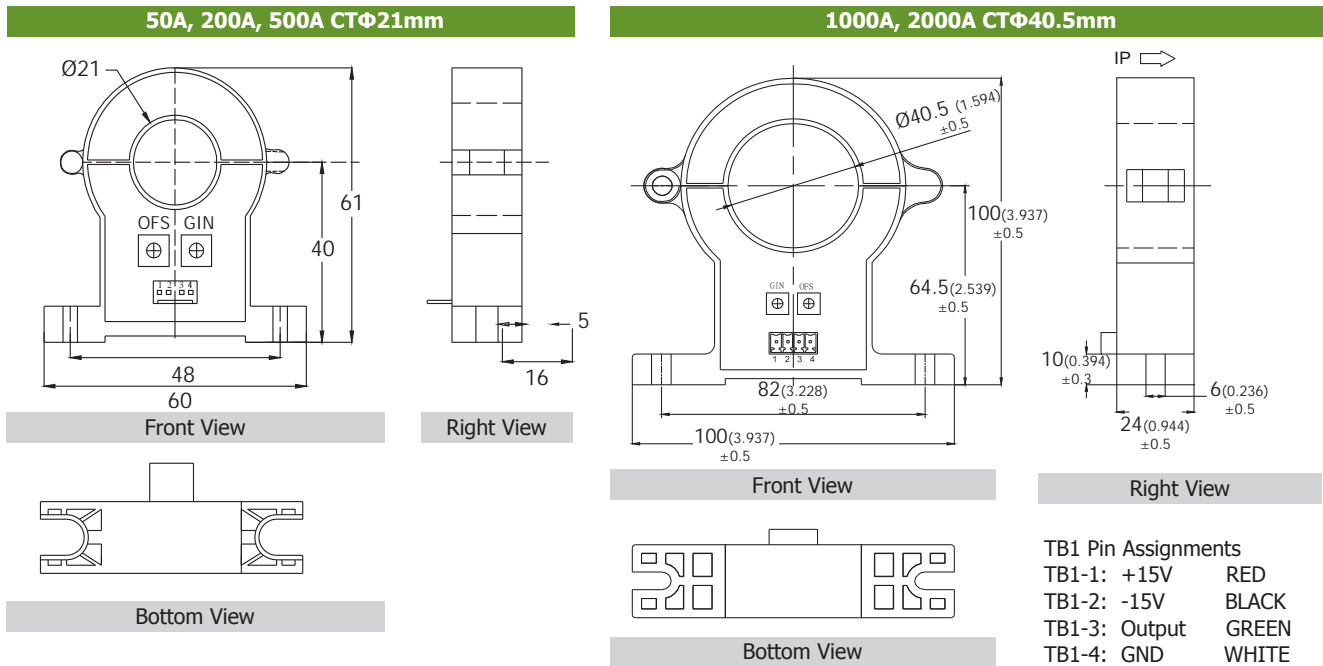
## Appearance



## Dimensions (Units: mm)



## ■ Dimensions (Units: mm)



## ■ Ordering Information

<b>DNM-844-50A CR</b>	4 Channel Current Transformer (50A) (Metal) (RoHS)
<b>DNM-844-200A CR</b>	4 Channel Current Transformer (200A) (Metal) (RoHS)
<b>DNM-844-500A CR</b>	4 Channel Current Transformer (500A) (Metal) (RoHS)
<b>DNM-844-1000A CR</b>	4 Channel Current Transformer (1000A) (Metal) (RoHS)
<b>DNM-844-2000A CR</b>	4 Channel Current Transformer (2000A) (Metal) (RoHS)

## ■ Accessories

CA-040415	4-pin & 4-pin Cable 1.5 M (RoHS)
CA-040425	4-pin & 4-pin Cable 2.5 M (RoHS)
CA-040415-1	4-pin & 4-pin Cable 1.5 M (RoHS)
MDR-20-24 CR	24 V/1 A, 24 W Power Supply with DIN-Rail Mounting (RoHS)
I-7017-G CR	8-channel Analog Input Module with DCON Protocol (Gray Cover) (RoHS)
I-87017W-G CR	8-channel Analog Input Module (Gray Cover) (RoHS)
M-7017RMS CR	8-channel True RMS Input Module (Gray Cover) (RoHS)
I-87017W-RMS CR	8-channel True RMS Input Module (Gray Cover) (RoHS)